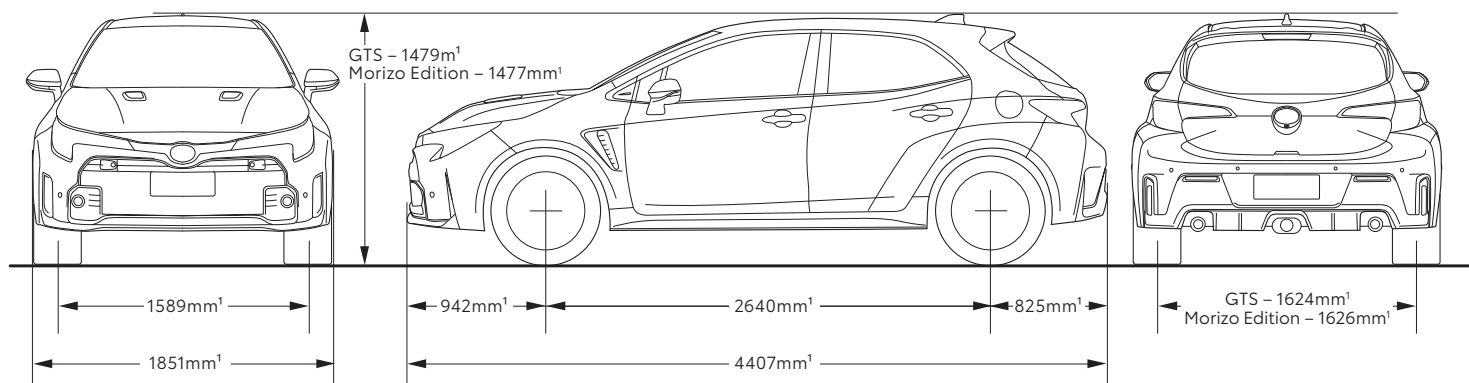


# GR Corolla



**Please Note: information is accurate as at May 2023.**

Specification and imagery are indicative and should only be used as a guide. Vehicle and accessory specification, features, colour and trim may differ at the time of vehicle delivery.



GR COROLLA		GTS	Morizo Edition	
<b>ENGINE</b>	Description	1.6L turbo Inline 3-cylinder (G16E-GTS)		
	Max power <sup>2</sup> (kW@rpm)	221kW @6500		
	Max torque <sup>2</sup> (Nm@rpm)	370Nm @3000-5550	400Nm @3250-4600	
	Valve train	12-valve DOHC		
	Bore x stroke (mm)	87.5 x 89.7		
	Compression ratio	10.5:1		
<b>FUEL</b>	Fuel consumption <sup>3</sup>	8.4L/100km	8.6L/100km	
	Recommended fuel octane rating	98		
<b>WEIGHTS AND CAPACITIES (APPROXIMATE)</b>	Fuel capacity <sup>1</sup> (L)	50		
	Kerb weight max <sup>1</sup> (kg)	1485	1440	
	Gross vehicle weight <sup>1</sup> (kg)	1915		
	Seating capacity	5	2	
<b>DRIVE TRAIN</b>	Driveline	GR-FOUR AWD system Electronic multi-plate clutch AWD (with 3 selectable modes)		
	Transmission	i-MT 6-speed manual (EA67F)	i-MT 6-speed manual (EA68F)	
	Transmission gear ratio	1st – 3.5384	1st – 3.2142	
		2nd – 2.2380	2nd – 2.2380	
		3rd – 1.5357	3rd – 1.5925	
		4th – 1.1621	4th – 1.1621	
		5th – 1.0810	5th – 1.0810	
		6th – 0.9024	6th – 0.9024	
		Reverse – 3.831	Reverse – 3.557	
	Final drive gear ratio	2.277	2.277	
Differential	Front and rear Torsen <sup>®4</sup> limited-slip differentials			

GR COROLLA		GTS	Morizo Edition
STEERING, BRAKES AND SUSPENSION	Power steering system	Electric	
	Steering gear type	Rack and pinion	
	Lock to lock	2.44	
	Minimum turning radius (m)	5.76	
	Brake control system	Anti-lock Braking System (ABS) with Vehicle Stability Control (VSC) and Brake Assist (BA)	
	Ventilated front and rear brake discs	•	
	Caliper	Fixed caliper 4-cylinder (front) / fixed caliper 2-cylinder (rear)	
	Front suspension – MacPherson strut type	•	
	Rear suspension – Double wishbone	•	
WHEELS AND TYRES	Design and style	ENKEI™ <sup>5</sup> made 18" alloy wheels	BBS made 18" forged alloy wheels
	Tyres	235/40R18 Yokohama ADVAN Apex <sup>®5</sup> V601	245/40ZR18 Michelin Pilot Sport <sup>®5</sup> Cup 2
	Puncture repair kit	•	•
EXTERIOR	Triple exhaust tail pipes	•	•
	Auto-electronically retractable door mirrors	•	•
	LED Daytime Running Lamps (DRL)	•	•
	LED headlamps with Automatic High Beam	•	•
	LED front and rear fog lamps	•	•
	GR red brake calipers	•	•
	Front and rear parking sensors	•	
	Rear privacy glass	•	•
	GR-Four logo on intercooler		•
	Carbon fibre reinforced polymer roof		•
	INTERIOR	Leather accented GR sports seats wrapped in Brin Naub <sup>®5</sup> suede with silver stitching and accents	•
Leather accented 2-piece GR sports seats wrapped in Brin Naub <sup>®5</sup> suede with red stitching and accents			•
Grey stitching and interior accents		•	
Red stitching, interior accents and seatbelt			•
Driver and front passenger heated seats		•	•
Floor mats		•	•
Cup holders		2 x front / 2 x rear	2 x front
Manual tilt and telescopic steering wheel adjustment		•	•
Premium GR 3-spoke steering wheel		•	•
GR Ultrasuede <sup>®6</sup> wrapped 3-spoke steering wheel			•
Illuminated entry (door & map light)		•	•
60/40 split fold-down rear seats		•	
Premium GR shift lever/knob		•	•
Premium GR parking brake lever		•	•
Aluminium sport pedals		•	•

GR COROLLA		GTS	Morizo Edition
INSTRUMENTS AND CONTROLS	Dual-zone automatic climate control air conditioning	•	
	Single zone automatic climate control air conditioning		•
	12.3" digital Multi Information Display (MID) with GR start-up animation	•	•
	GR-FOUR AWD setting select dial: 60:40, 30:70, 50:50 (TRACK)	•	•
	Head-Up Display	•	•
	Wireless phone charger	•	
	Drive modes – normal, sport, ECO and custom	•	•
	Steering wheel controls	•	•
	Smart entry and start system	•	•
MULTIMEDIA	8" multimedia display screen	•	•
	Android Auto™,7 and Wireless Apple CarPlay®7	•	•
	Satellite navigation	•	
	8-speaker JBL®5 audio system	•	
	2-speaker audio system		•
	2 x USB port	•	•
SECURITY	Engine immobiliser	•	•
SAFETY <sup>9</sup>	Reversing camera with guidelines	•	•
	Seven SRS airbags	•	•
	Seat belt warning (Driver and front passenger)	•	•
	Toyota Safety Sense <sup>8</sup> – including High-speed Active Cruise Control, Lane Departure Alert with steering assist, Pre-Collision Safety system with pedestrian and daytime cyclist detection, Intersection Turn Assistance, Emergency Steering Assist, Road Sign Assist (speed signs only) and Automatic High Beam	•	•
	Blind Spot Monitor	•	•
	Anti-lock Braking System (ABS)	•	•
	Vehicle Stability Control (VSC)	•	•
TOYOTA CONNECTED SERVICES <sup>9</sup>	Toyota Connected Services <sup>9</sup> – including Safety and Security features, Multimedia Connect and Driving Insights – accessible via myToyota Connect app	12 months complimentary access	

1 Weights/mass/volumes/dimensions are approximate and subject to individual vehicle variances, and should be confirmed before fitting any accessories, towing or otherwise relying on this value.  
2 Power and torque test standards differ. Ensure comparisons use same test standard.  
3 Achieved in test conditions for comparison purposes only. Actual fuel consumption varies depending on driving conditions/style, vehicle condition, load and options/accessories fitted. Source: ADR81/02 combined (L/100km).  
4 Torsen® is a registered trademark of JTEKT Corporation.  
5 Product and company names are trademarks of their respective owners.  
6 Ultrasuede® is a registered trademark owned by Toray Industries, Inc.  
7 CarPlay® is a trademark of Apple, Inc. registered in the U.S. and other countries. Android Auto™ is a trademark of Google LLC.

8 Driver assist feature. Only operates under certain conditions. Check your Owner's Manual for explanation of limitations. Please drive safely.  
9 Connected Services complimentary period ends 1 year from delivery date. Fees may apply thereafter. See [toyota.com.au/connected/plans-packages](https://toyota.com.au/connected/plans-packages). Not available outside Australia, if services disabled or terminated, or after 2033/Telstra 4G sunset (whichever comes first). Dependent on 3G/4G enabled DCM, GPS signal strength, mobile network coverage and other factors outside Toyota's control which can limit ability or functionality of system. Requires compatible device and app installation, third party info and mobile data. Mobile usage at user's cost. Check [toyota.com.au/connected](https://toyota.com.au/connected) or your Owner's Manual for explanation of limitations. Features subject to change. Please drive safely.

**IMPORTANT NOTICE – PLEASE READ:** Toyota Australia uses its best endeavours to ensure material is correct when published. Check with your authorised Toyota dealer when ordering to ensure the vehicle with your chosen specifications, equipment and colour is available and can be delivered within the timeframe suitable to you. When ordering accessories, check with your authorised Toyota dealer to ensure the accessory's design, features and colours are available and fit your vehicle. Ensure the mass of your load does not exceed the maximum allowable individual axle capacity, Gross Vehicle Mass and/or Gross Combined Mass of the vehicle. Refer to [toyota.com.au](https://toyota.com.au) for further details. Colours displayed are a guide only and may vary from actual colours due to printing/display processes. Certain accessories when fitted will require the removal of standard equipment, which may be retained by Toyota Australia or your Toyota Dealer. Toyota Australia reserves the right to change, without notice, prices, colours, materials, equipment, specifications and discontinue colours/models. To the extent permitted by law, Toyota Australia will not be liable for any damage, loss or expense incurred as a result of reliance on this material in any way. Distributed nationally (other than in Western Australia) by Toyota Motor Corporation Australia Limited ABN 64 009 686 097, 155 Bertie St, Port Melbourne 3207. Material distributed in Western Australia by or on behalf of Prestige Motors Pty Ltd (for vehicles) and by Eastpoint Pty Ltd (for parts/accessories). Toyota Australia makes no warranties regarding (and will not be liable for) accuracy of materials distributed in Western Australia. PROOF HQ: T2023-020067. GTP-006801-02. VERSION: MAY 2023.