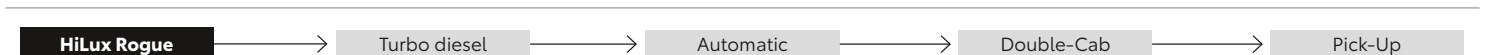
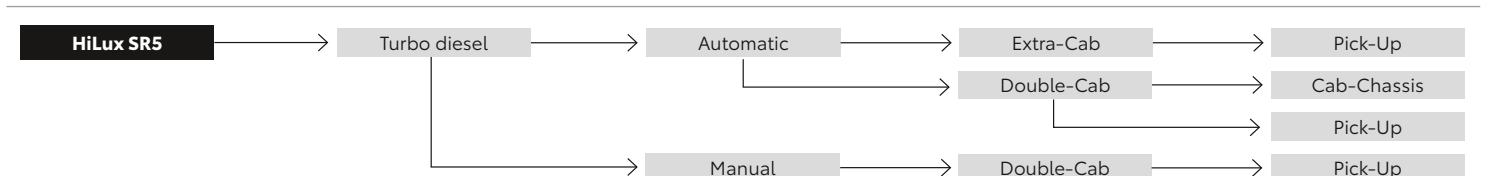
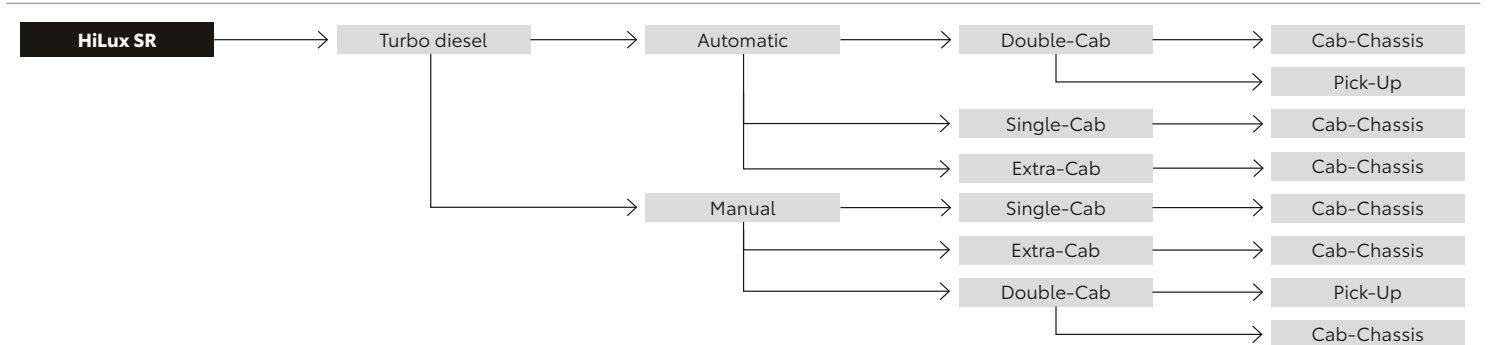
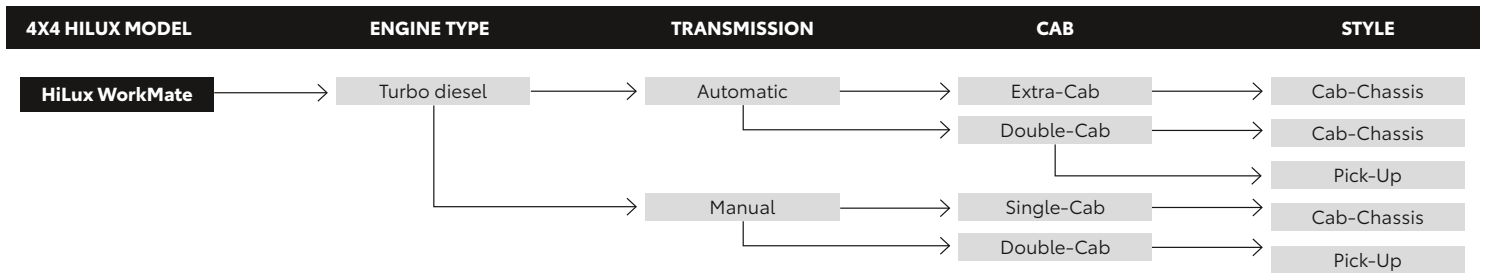
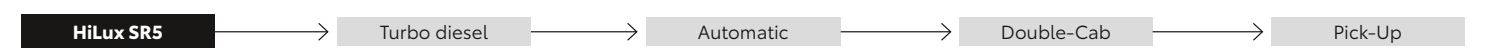
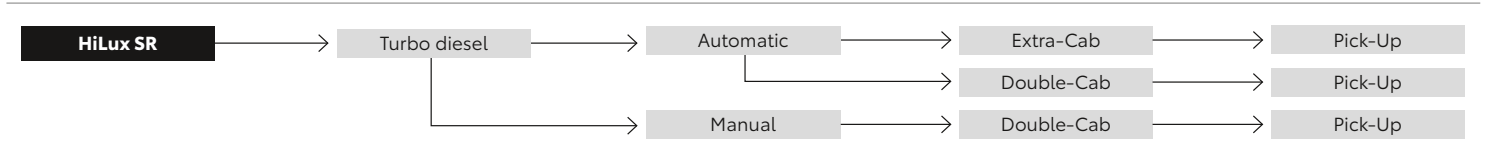
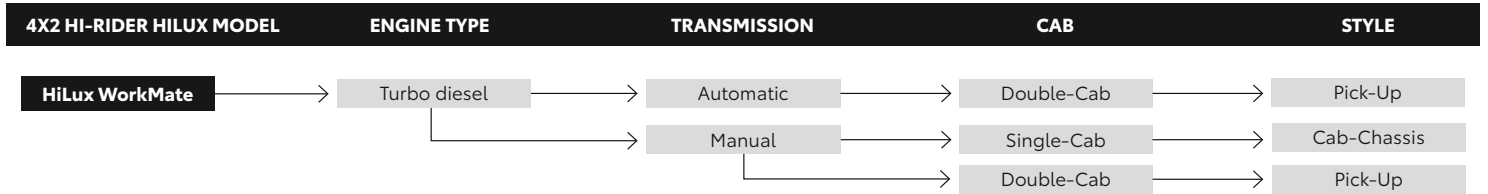
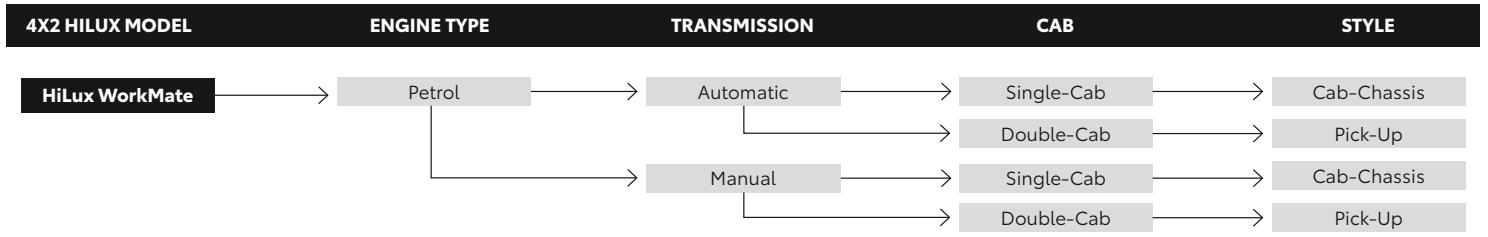


A HiLux built for every need



Please Note: information is accurate as at April 2023.

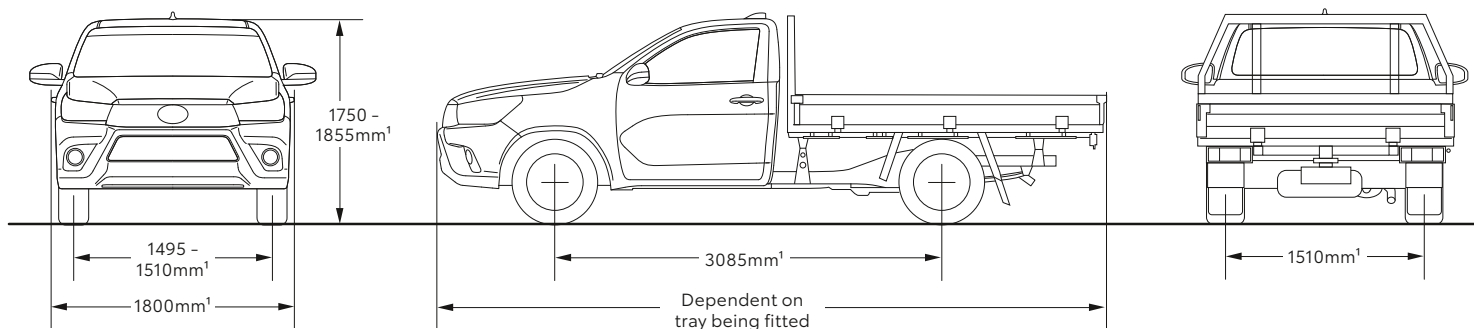
Specification and imagery are indicative and should only be used as a guide. Vehicle and accessory specification, features, colour and trim may differ at the time of vehicle delivery.



IMPORTANT NOTICE – PLEASE READ: Toyota Australia uses its best endeavours to ensure material is accurate at the time of publishing. All information must be confirmed with your Toyota Dealer at the time of ordering, as specifications, applicability and availability may change over time. Colours depicted are a guide only and may vary from actual colours due to the printing/display process. Toyota Australia reserves the right to change and/or discontinue, without notice, models, prices, colours, materials, equipment, specifications. To the extent permitted by law, Toyota Australia will not be liable for any damage or loss incurred from relying on the information and images contained in this material. Distributed nationally (other than in Western Australia) by Toyota Motor Corporation Australia Limited ABN 64 009 686 097. Material distributed in Western Australia by or on behalf of Prestige Motors Pty Ltd (for vehicles) and by Eastpoint Pty Ltd (for parts/accessories). Toyota Australia makes no warranties regarding (and will not be liable for) accuracy of materials distributed in Western Australia. PROOF HQ: T2022-019481. GTO-007118. VERSION: APRIL 2023.

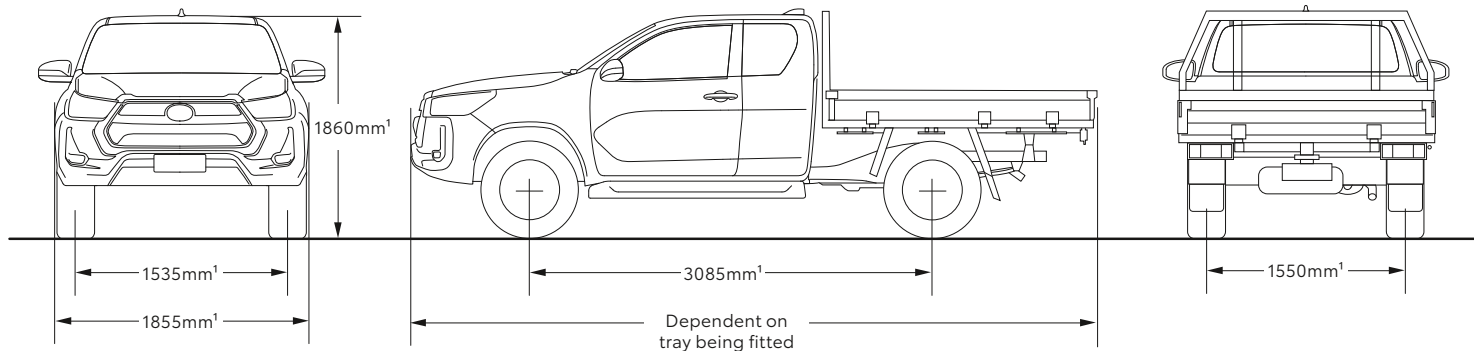
Single-Cab

Single-Cab Cab-Chassis

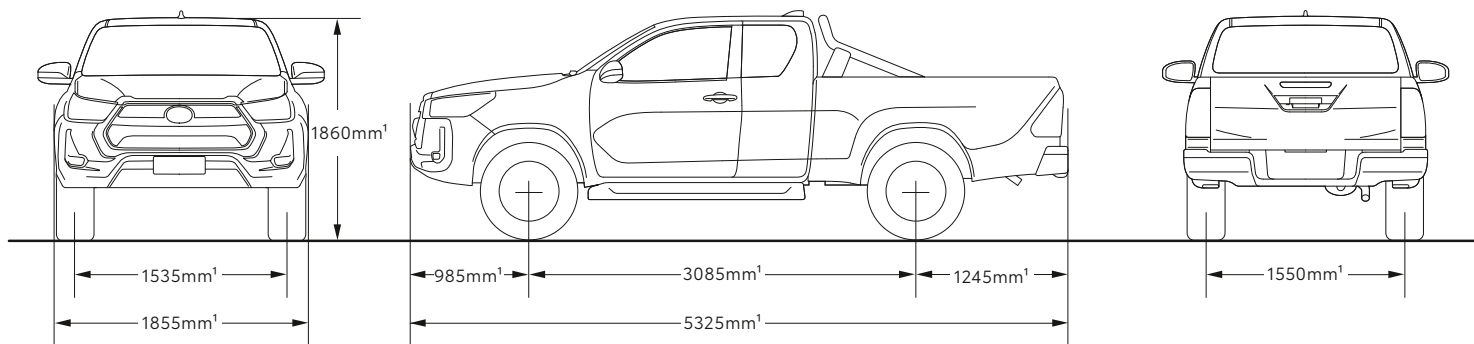


Extra-Cab

Extra-Cab Cab-Chassis

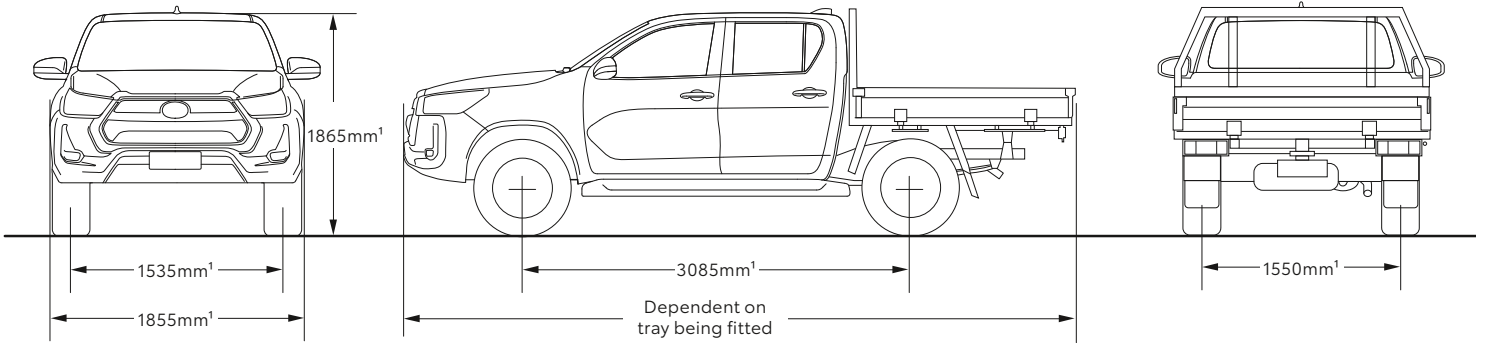


Extra Cab Pick-Up

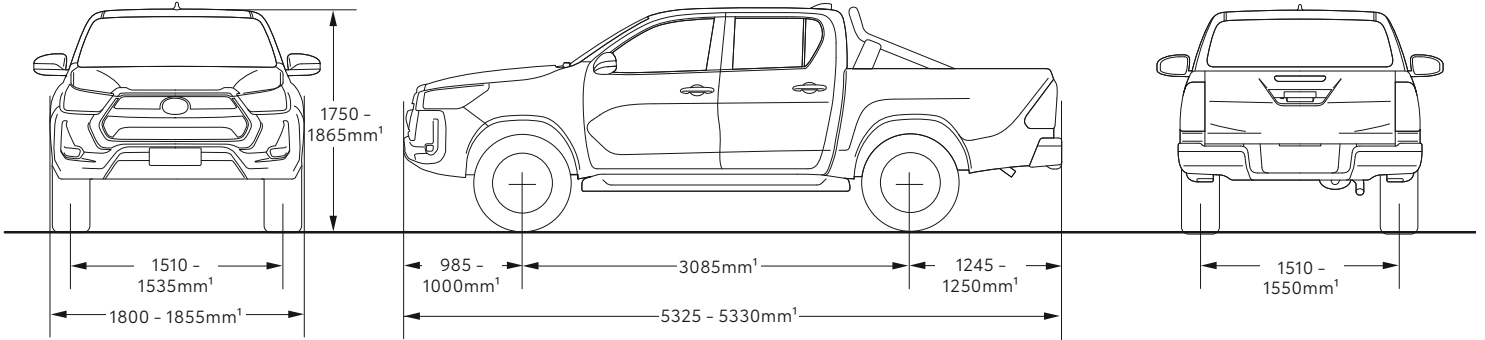


Double-Cab

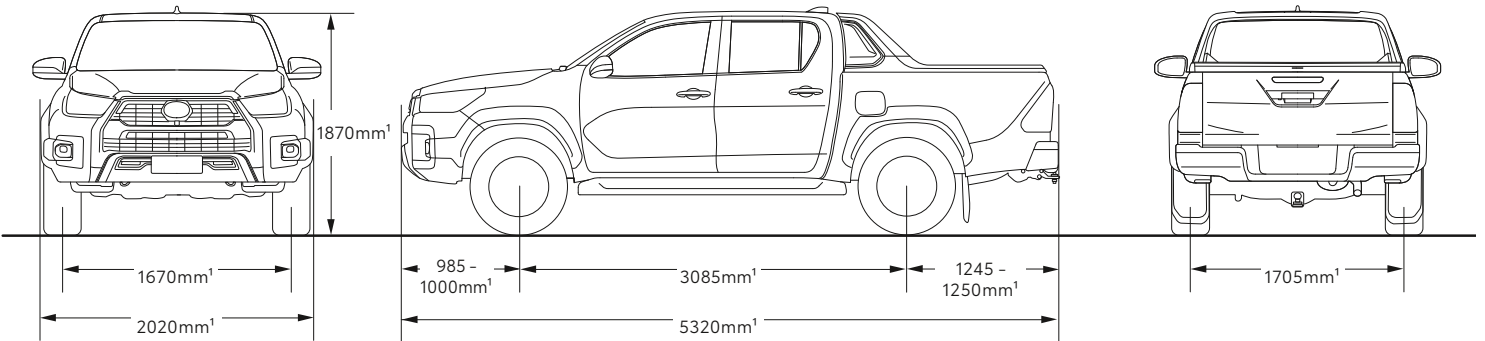
Double-Cab Cab-Chassis



Double-Cab Pick-Up



Double-Cab Pick-Up Rogue



HILUX 4X2 AND HI-RIDER		2.7L petrol		2.4L turbo diesel		2.8L turbo diesel	
ENGINE	Engine code	2TR-FE		2GD-FTV		1GD-FTV	
	Displacement (cm ³)	2694		2393		2755	
	Maximum power (kW/rpm)	122 @ 5200		110 @ 3400		150 @ 3400 M/T, 150 @ 3000-3400 A/T	
	Maximum torque (Nm/rpm)	245 @ 4000		400 @ 1600-2000		420 @ 1400-3400 M/T, 500 @ 1600-2800 A/T	
	Valve train	16-valve DOHC, with Dual VVT-i		16-valve DOHC		16-valve DOHC	
	Fuel system	Electronic fuel injection		Fuel injection with common rail		Fuel injection with common rail	
	Bore x stroke (mm)	95.0 x 95.0		92.0 x 90.0		92.0 x 103.6	
	Compression ratio	10.2:1		15.6:1		15.6:1	
TRANSMISSION	Type	Manual	Automatic	Manual	Automatic	Manual	Automatic
	Number of ratios	5-speed	6-speed	6-speed	6-speed	6-speed	6-speed
	Ratios (:1)	1st 4.313 2nd 2.330 3rd 1.436 4th 1.000 5th 0.838 6th 4.220	1st 3.600 2nd 2.090 3rd 1.488 4th 1.000 5th 0.687 6th 0.580 Rev 3.732	1st 4.784 2nd 2.423 3rd 1.443 4th 1.000 5th 0.777 6th 0.643 Rev 4.066	1st 3.600 2nd 2.090 3rd 1.488 4th 1.000 5th 0.687 6th 0.580 Rev 3.732	1st 4.784 2nd 2.423 3rd 1.443 4th 1.000 5th 0.826 6th 0.643 Rev 4.066	1st 3.600 2nd 2.090 3rd 1.488 4th 1.000 5th 0.687 6th 0.580 Rev 3.732
	Differential ratio (rear) (:1)	4.100	4.100	3.583	4.100	3.583	3.909

HILUX 4X2 AND HI-RIDER		4x2		4x2 Hi-Rider				
BODY TYPE		Single-Cab	Double-Cab	Single-Cab	Extra-Cab	Double-Cab		
HILUX – 4X2 AND HI-RIDER - GRADE		WorkMate	WorkMate	WorkMate	SR	WorkMate	SR	SR5
ENGINE		Petrol	Petrol	Turbo diesel	Turbo diesel	Turbo diesel	Turbo diesel	Turbo diesel
TRAY TYPE		Cab-Chassis	Pick-Up	Cab-Chassis	Pick-Up	Pick-Up	Pick-Up	Pick-Up
MECHANICAL	Fuel economy ² (combined) (L/100km) – manual / automatic	11.1 / 10.9	10.7 / 10.4	7.4 / -	- / 7.5	6.9 / 7.5	7.1 / 7.5	8.1
	Diesel particulate filter (manual burn off) switch			•	•	•	•	•
	2.4L turbo diesel			•		•		
	2.8L turbo diesel				•		•	•
	2.7L petrol	•	•					
	5-speed manual transmission	•	•					
	6-speed manual transmission			•		•	•	
	6-speed automatic transmission	•	•		•	•	•	•
DIMENSIONS (APPROXIMATE)	Length / width / height ¹ (mm)	5265 / 1800 / 1750	5330 / 1800 / 1750	5265 / 1800 / 1855	5325 / 1855 / 1860	5325 / 1855 / 1865	5325 / 1855 / 1865	5325 / 1855 / 1865
	Wheelbase ¹ (mm)	3085	3085	3085	3085	3085	3085	3085
	Track – front / rear ¹ (mm)	1510 / 1510	1510 / 1510	1495 / 1510	1535 / 1550	1535 / 1550	1535 / 1550	1535 / 1550
	Overhang – front / rear ¹ (mm)		990 / 1250		985 / 1245	985 / 1245	985 / 1245	985 / 1245
WEIGHT (APPROXIMATE)	Maximum kerb weight manual ¹ (kg)	1495	1785	1665		1980	1965	
	Maximum kerb weight automatic ¹ (kg)	1510	1795		1970	1975	1975	1958
	Gross Vehicle Mass ¹ (GVM) (kg)	2700	2780	2900	3050	3100	2980	2980
	Gross Combined Mass ¹ (GCM) (kg)	5200	5250	5650	5650	5650	5650	5650
TOWING CAPACITY ³	With trailer brakes (kg) – manual / automatic	2500 / 2500	2500 / 2500	2800 / -	- / 2800	2800 / 2800	2800 / 2800	- / 2800
	Without trailer brakes (kg)	750	750	750	750	750	750	750
SEATING	Capacity	2	5	2	4	5	5	5
FUEL TANK	Capacity (L)	80	80	80	80	80	80	80
STEERING	Steering gear type	Rack and pinion						
BRAKES	System	Vacuum boosted hydraulic system						
	Front / rear	Ventilated disc brake with floating single piston caliper / Leading-trailing drum brake			Ventilated disc brake with opposed 4-piston caliper / Leading-trailing drum brake			
SUSPENSION	Front / rear	Double wishbone / Leaf spring rigid axle						
WHEELS AND TYRES	Wheels	16"	16"	17"	17"	17"	17"	18"
	Tyres	215 / 65R16C	215 / 65R16C	225 / 70R17C	265 / 65R17	265 / 65R17	265 / 65R17	265 / 60R18

HILUX 4X2 AND HI-RIDER		WorkMate		SR		SR5
BODY TYPE		Single-Cab	Double-Cab	Extra-Cab	Double-Cab	Double-Cab
EXTERIOR	Body colour front bumper		Hi-Rider only	•	•	•
	Body colour door handles			•	•	
	Chrome step type rear bumper					•
	Front LED fog lamps					•
	LED headlamps with auto-levelling					•
	LED Daytime Running Lamps (DRLs)					•
	Halogen DRLs	•	•	•	•	
	Privacy glass					•
	Side steps			•	•	•
	Stainless steel sports bar					•
	Rear access door			•		
	Shark fin antenna	•	•	•	•	•
INTERIOR	Standard fabric seat	•	•			
	Premium fabric seat			•	•	•
	Premium gear knob and steering wheel					•
	4.2" colour Multi Information Display	•	•	•	•	•
	Chrome interior door handles					•
	Durable vinyl floor covering	•	•	•	•	
	Floor carpet					•
	Front air-conditioned cooler box			•	•	•
SEATING	Driver's bucket seat (basic)	•	•			
	Driver's bucket seat (high grade)			•	•	•
	60:40 split rear seat				•	•
	Front passengers bucket seat (basic)	•	•			
	Front passengers bucket seat (high grade)			•	•	•
FEATURES	Air conditioning – manual	•	•	•	•	
	Front dual-zone climate control air conditioning					•
	Rear air vents					•
	Power front windows	•	•	•	•	•
	Power rear windows	N/A	•	N/A	•	•
	Driver's automatic up/down window	•	•	•	•	•
	Smart entry and start system					•
	Heavy duty suspension and underbody package (Hi-Rider only)	•	•	•	•	•
	220V accessory socket					•
	Puddle lamps					•
INSTRUMENTS AND CONTROLS	Power steering	•	•	•	•	•
	Drive mode select			•	•	•
	Manual tilt/telescopic steering column	•	•	•	•	•
	Cruise control	•	•	•	•	•
	Steering wheel switches with telephone and voice recognition	•	•	•	•	•
	Steering wheel mounted audio controls	•	•	•	•	•
	Power adjustable mirrors	•	•	•	•	•
	Power accessory socket	1	1	1	1	2
	Variable intermittent windscreen wipers			•	•	•
	Headlamps automatic on/off	•	•	•	•	•
	Trip meter	•	•	•	•	•

HILUX 4X2 AND HI-RIDER		WorkMate		SR		SR5
BODY TYPE		Single-Cab	Double-Cab	Extra-Cab	Double-Cab	Double-Cab
STORAGE	Large glove box	•	•	•	•	•
	Front cup holder/s – in dash	•	•	•	•	•
	Rear cup holders – in arm rest				•	•
	Front door pockets	•	•	•	•	•
	Centre console box with lid	Auto Only	•	•	•	•
MULTIMEDIA	8" colour touchscreen display with AM/FM tuner	•	•	•	•	•
	Apple CarPlay ^{®4,6} and Android Auto ^{™,5,6} (speak to your Dealer about device compatibility)	•	•	•	•	•
	Satellite navigation and DAB+ digital radio					•
	USB input	•	•	•	•	•
	Bluetooth ^{®7} connectivity	•	•	•	•	•
	Number of speakers	2	2	4	6	6
TOYOTA CONNECTED SERVICES ⁸	Toyota Connected Services ⁸	3 years complimentary access ⁸				
	myToyota Connect ⁹ app	•	•	•	•	•
	Stolen Vehicle Tracking ¹⁰	•	•	•	•	•
	Automatic Collision Notification ¹¹	•	•	•	•	•
	SOS Emergency Call ¹²	•	•	•	•	•
SAFETY	Toyota Safety Sense – including Lane Departure Alert, Pre-Collision Safety system with pedestrian and daytime cyclist detection, Road Sign Assist (speed signs only) and Active Cruise Control (high speed)	•	•	•	•	•
	Blind Spot Monitor					•
	Rear Cross Traffic Alert					•
	Panoramic View Monitor					•
	Anti-lock Braking System	•	•	•	•	•
	Vehicle Stability Control	•	•	•	•	•
	Traction Control	•	•	•	•	•
	Electronic Brake-force Distribution	•	•	•	•	•
	Parking sensor					•
	Reversing camera (Pick-Up only)		•	•	•	•
	Hill-start Assist Control	•	•	•	•	•
	Emergency Stop Signal	•	•	•	•	•
	7 SRS airbags	•	•	•	•	•
	Driver and front passenger seatbelt warning buzzer	•	•	•	•	•
	Driver and front passenger pre-tensioner seatbelt	•	•	•	•	•
	3-point seatbelt for rear outer seating positions	N/A	•	•	•	•
	3-point seatbelt for rear centre position	N/A	•	N/A	•	•
Door ajar warning light	•	•	•	•	•	
Engine immobiliser	•	•	•	•	•	
SECURITY	Alarm	•	•	•	•	•
	Power door locks	•	•	•	•	•
	Remote keyless entry	•	•	•	•	•
	Lockable glove box	•	•	•	•	•

HILUX – 4X4		2.4L turbo diesel				2.8L turbo diesel			
ENGINE	Engine code	2GD-FTV				1GD-FTV			
	Displacement (cm ³)	2393				2755			
	Maximum power (kW/rpm)	110 @ 3400				150 @ 3400 M/T, 150 @ 3000-3400 A/T			
	Maximum torque (Nm/rpm)	400 @ 1600-2000				420 @ 1400-3400 M/T, 500 @ 1600-2800 A/T			
	Valve train	16-valve DOHC				16-valve DOHC			
	Fuel system	Fuel injection with common rail				Fuel injection with common rail			
	Fuel capacity (L)	80				80			
	Bore x stroke (mm)	92.0 x 90.0				92.0 x 103.6			
	Compression ratio	15.6:1				15.6:1			
TRANSMISSION	Type	Manual		Automatic		Manual		Automatic	
	Number of ratios	6-speed		6-speed		6-speed		6-speed	
	Ratios (:1)	1st 4.784; 2nd 2.423; 3rd 1.443; 4th 1.000; 5th 0.777; 6th 0.643; Rev 4.066		1st 3.600; 2nd 2.090; 3rd 1.488; 4th 1.000; 5th 0.687; 6th 0.580; Rev 3.732		1st 4.784; 2nd 2.423; 3rd 1.443; 4th 1.000; 5th 0.826; 6th 0.643; Rev: 4.066		1st 3.600; 2nd 2.090; 3rd 1.488; 4th 1.000; 5th 0.687; 6th 0.580 Rev 3.732	
	Differential ratio (rear) (:1)	3.583		4.100		3.583		3.909	

HILUX – 4X4		Body Type											
BODY TYPE		Single-Cab			Extra-Cab			Double-Cab					
GRADE		WorkMate	SR	WorkMate	SR	SR5	WorkMate	SR	SR5	SR5	SR5	SR5	Rogue
ENGINE		Turbo diesel	Turbo diesel	Turbo diesel	Turbo diesel	Turbo diesel	Turbo diesel	Turbo diesel	Turbo diesel	Turbo diesel	Turbo diesel	Turbo diesel	Turbo diesel
TRAY TYPE		Cab-Chassis	Cab-Chassis	Cab-Chassis	Cab-Chassis	Pick-Up	Cab-Chassis	Pick-Up	Cab-Chassis	Pick-Up	Pick-Up	Cab-Chassis	Pick-Up
MECHANICAL	Fuel economy ² (combined) (L/100km)- manual / automatic	7.4 / -	7.8 / 8.0	- / 8.0	7.8 / 8.0	- / 7.9	- / 8.0	7.2 / 8.6	8.0 / 8.4	7.4 / 7.9	8.0 / 7.9	- / 8.4	8.4
	Diesel particulate filter (manual burn off) switch	•	•	•	•	•	•	•	•	•	•	•	•
	2.4L turbo diesel	•	•	•	•	•	•	•	•	•	•	•	•
	2.8L turbo diesel	•	•	•	•	•	•	•	•	•	•	•	•
	6-speed manual transmission	•	•	•	•	•	•	•	•	•	•	•	•
	6-speed automatic transmission	•	•	•	•	•	•	•	•	•	•	•	•
6-speed intelligent Manual Transmission (i-MT)											•		
DIMENSIONS (APPROXIMATE)	Length / width / height ¹ (mm)	5265 / 1800 / 1855	5265 / 1800 / 1855	5285 / 1855 / 1860	5285 / 1855 / 1860	5325 / 1855 / 1860	5285 / 1855 / 1865	5325 / 1855 / 1865	5265 / 1855 / 1865	5325 / 1855 / 1865	5325 / 1855 / 1865	5265 / 1855 / 1865	5320 / 2020 / 1870
	Wheelbase ¹ (mm)	3085	3085	3085	3085	3085	3085	3085	3085	3085	3085	3085	3085
	Track – front / rear ¹ (mm)	1495 / 1510	1495 / 1510	1535 / 1550	1535 / 1550	1535 / 1550	1535 / 1550	1535 / 1550	1535 / 1550	1535 / 1550	1535 / 1550	1535 / 1550	1670 / 1705
	Overhang – front / rear ¹ (mm)	1000 / 990	1000 / 990	1000 / 990	1000 / 990	985 / 1245	1000 / 990	985 / 1245	1000 / 990	985 / 1245	985 / 1245	985 / 1245	985 / 1245
WEIGHT (APPROXIMATE)	Maximum kerb weight manual ¹ (kg)	1800	1825		1935			2100	1985	2100	2093		
	Maximum kerb weight automatic ¹ (kg)		1825	1950	1950	2085	1965	2110	1985	2110	2110	2000	2256
	Gross Vehicle Mass ¹ (GVM) (kg)	3050	3050	3050	3100	3100	3050	3050	3050	3050	3050	3050	3050
	Gross Combined Mass ¹ (GCM) (kg)	5850	5850	5850	5850	5850	5850	5850	5850	5850	5850	5850	
TOWING CAPACITY ³	With trailer brakes (kg)	3500	3500	3500	3500	3500	3500	3500	3500	3500	3500	3500	3500
	Without trailer brakes (kg)	750	750	750	750	750	750	750	750	750	750	750	750
SEATING	Capacity	2	2	4	4	4	5	5	5	5	5	5	5
STEERING	Steering gear type	Rack and pinion											
BRAKES	System	Vacuum boosted hydraulic system											
	Front / rear	Ventilated disc brake with opposed 4-piston caliper / Leading-trailing drum brake											Ventilated disc break with opposed 4-piston caliper / Ventilated disc break with floating caliper 1-cylinder
SUSPENSION	Front / rear	Double wishbone / Leaf spring rigid axle											
WHEELS AND TYRES	Wheels	17"	17"	17"	17"	18"	17"	17"	17"	17"	18"	18"	18"
	Tyres	225 / 70 R17C	225 / 70 R17C	265 / 65 R17	265 / 65 R17	265 / 60 R18	265 / 65 R17	265 / 65 R17	265 / 65 R17	265 / 65 R17	265 / 60 R18	265 / 60 R18	265 / 60 R18

HILUX – 4X4		WorkMate			SR			SR5		Rogue
BODY TYPE		Single-Cab	Extra-Cab	Double-Cab	Single-Cab	Extra-Cab	Double-Cab	Extra-Cab	Double-Cab	Double-Cab
EXTERIOR	Body colour front bumper		•	•	•	•	•	•	•	
	Chrome step type rear bumper							•	•	
	Unique black and dark chrome Rogue styling – including Rogue design grille, wheel arch moulding, exterior mirrors, fog lamp detailing, door handles, front and rear bumper and overfenders									•
	Wide track over fender									•
	Front LED fog lamps							•	•	•
	LED headlamps with auto-levelling							•	•	•
	LED DRLs							•	•	•
	Halogen DRLs	•	•	•	•	•	•			
	Privacy glass							•	•	•
	Chrome door handles							•	•	
	Body colour door handles				•	•	•			
	Side steps				•	•	•	•	•	•
	Stainless steel sports bar							•	•	
	Rear stabiliser bar									•
	Rear access door		•			•		•		
	Shark fin antenna	•	•	•	•	•	•	•	•	•
	Tow bar receiver ¹³ – tow ball, tongue and wiring harness sold separately							•	•	•
	Marine grade tub liner									•
	Motorised Roller Cover									•
	Resin sports bar									•
LED inner tray lighting									•	
INTERIOR	Standard fabric seat	•	•	•						
	Premium fabric seat				•	•	•	•	•	
	Premium gear knob and steering wheel							•	•	•
	Leather accented interior								Optional	•
	4.2" colour Multi Information Display	•	•	•	•	•	•	•	•	•
	Durable vinyl floor covering	•	•	•	•	•	•			
	Floor carpet							•	•	•
	All-weather floormats – front and rear	•	•	•	•	•	•	•	•	
	Carpet floormats – front and rear									•
	Front air-conditioned cooler box				•	•	•	•	•	•
	Marine grade tub liner									•
	Motorised Roller Cover									•
	Resin sports bar									•
	LED inner tray lighting									•
SEATING	Driver's bucket seat (basic)	•	•	•						
	Driver's bucket seat (high grade)				•	•	•	•	•	•
	60:40 split rear seat						•		•	•
	Front passengers bucket seat (basic)	•	•	•						
	Front passengers bucket seat (high grade)				•	•	•	•	•	•
	Heated front seats								Optional	•
	8-way power adjustable driver's seat								Optional	•
FEATURES	Air conditioning – manual	•	•	•	•	•	•			
	Front dual-zone climate control air conditioning							•	•	•
	Rear air vents								•	•
	Power front windows	•	•	•	•	•	•	•	•	•
	Power rear windows	N/A	N/A	•	N/A	N/A	•	N/A	•	•
	Driver's automatic up/down window	•	•	•	•	•	•	•	•	•
	Smart entry and start system							•	•	•
	Heavy duty suspension and underbody package	•	•	•	•	•	•	•	•	•
	220V accessory socket								•	•
	Paddle lamp							Pick-Up only	Pick-Up only	

HILUX – 4X4		WorkMate			SR			SR5		Rogue
BODY TYPE		Single-Cab	Extra-Cab	Double-Cab	Single-Cab	Extra-Cab	Double-Cab	Extra-Cab	Double-Cab	Double-Cab
INSTRUMENTS AND CONTROLS	Power steering	•	•	•	•	•	•	•	•	•
	4x4 transfer switch	•	•	•	•	•	•	•	•	•
	Drive mode select				•	•	•	•	•	•
	Manual tilt/telescopic steering column	•	•	•	•	•	•	•	•	•
	Cruise control	•	•	•	•	•	•	•	•	•
	Steering wheel switches with telephone and voice recognition	•	•	•	•	•	•	•	•	•
	Steering wheel mounted audio controls	•	•	•	•	•	•	•	•	•
	Power mirrors	•	•	•	•	•	•	•	•	•
	Variable intermittent windscreen wipers				•	•	•	•	•	•
	Headlamps automatic on/off	•	•	•	•	•	•	•	•	•
	Auto-dimming rear view mirror									•
	Trip meter	•	•	•	•	•	•	•	•	•
STORAGE	Large glove box	•	•	•	•	•	•	•	•	•
	Front cup holder/s – in dash	•	•	•	•	•	•	•	•	•
	Rear cup holders – in arm rest						•		•	•
	Front door pockets	•	•	•	•	•	•	•	•	•
	Centre console box with lid	Auto Only	•	•	•	•	•	•	•	•
MULTIMEDIA	8" colour touchscreen display with AM/FM tuner	•	•	•	•	•	•	•	•	•
	Apple CarPlay ^{®4,6} and Android Auto ^{™,5,6} (speak to your Dealer about device compatibility)	•	•	•	•	•	•	•	•	•
	Satellite navigation and DAB+ digital radio							•	•	•
	USB input	•	•	•	•	•	•	•	•	•
	Bluetooth ^{®7} connectivity	•	•	•	•	•	•	•	•	•
	Number of speakers	2	2	2	2	4	6	4	6	9
TOYOTA CONNECTED SERVICES⁸	Toyota Connected Services ⁸	3 years complimentary access ⁸								
	myToyota Connect ⁹ app	•	•	•	•	•	•	•	•	•
	Stolen Vehicle Tracking ¹⁰	•	•	•	•	•	•	•	•	•
	Automatic Collision Notification ¹¹	•	•	•	•	•	•	•	•	•
	SOS Emergency Call ¹²	•	•	•	•	•	•	•	•	•
SAFETY	Toyota Safety Sense – including Lane Departure Alert, Pre-Collision Safety system with pedestrian and daytime cyclist detection, Road Sign Assist (speed signs only) and Active Cruise Control (high speed)	•	•	•	•	•	•	•	•	•
	Blind Spot Monitor								Pick-Up only	•
	Rear Cross Traffic Alert								Pick-Up only	•
	Panoramic View Monitor								Pick-Up only	•
	Anti-lock Braking System	•	•	•	•	•	•	•	•	•
	Vehicle Stability Control	•	•	•	•	•	•	•	•	•
	Traction Control	•	•	•	•	•	•	•	•	•
	Electronic Brake-force Distribution	•	•	•	•	•	•	•	•	•
	Parking sensor							•	Pick-Up only	•
	Reversing camera (Pick-Up only)			•			•	•	•	•
	Hill-start Assist Control	•	•	•	•	•	•	•	•	•
Downhill Assist Control (Pick-Up only)						Auto Only	•	•	•	

HILUX – 4X4		WorkMate			SR			SR5		Rogue
		Single-Cab	Extra-Cab	Double-Cab	Single-Cab	Extra-Cab	Double-Cab	Extra-Cab	Double-Cab	Double-Cab
BODY TYPE		Single-Cab	Extra-Cab	Double-Cab	Single-Cab	Extra-Cab	Double-Cab	Extra-Cab	Double-Cab	Double-Cab
SAFETY	Emergency Stop Signal	•	•	•	•	•	•	•	•	•
	7 SRS airbags	•	•	•	•	•	•	•	•	•
	Driver and front passenger seatbelt warning buzzer	•	•	•	•	•	•	•	•	•
	Driver and front passenger pre-tensioner seatbelt	•	•	•	•	•	•	•	•	•
	3-point seatbelt for rear outer seating positions	N/A	•	•	N/A	•	•	•	•	•
	3-point seatbelt for rear centre position	N/A	N/A	•	N/A	N/A	•	N/A	•	•
	Door ajar warning light	•	•	•	•	•	•	•	•	•
	Rear differential lock				•	•	•	•	•	•
	Engine immobiliser	•	•	•	•	•	•	•	•	•
SECURITY	Alarm	•	•	•	•	•	•	•	•	•
	Power door locks	•	•	•	•	•	•	•	•	•
	Remote keyless entry	•	•	•	•	•	•	•	•	•
	Lockable glove box	•	•	•	•	•	•	•	•	•

- Weights/mass/volumes/dimensions are approximate and subject to individual vehicle variances, and should be confirmed before fitting any accessories, towing or otherwise relying on this value.
- Achieved in test conditions for comparison purposes only. Actual fuel consumption varies depending on driving conditions/style, vehicle condition, load and options/accessories fitted. Source: ADR81/02 combined (L/100km) for manual/auto models
- Towing capacity subject to regulatory requirements, and vehicle and equipment design limitations. Ask your Dealer for more information, including Toyota Genuine tow bar capacity and availability.
- CarPlay® is a trademark of Apple, Inc. registered in the U.S. and other countries.
- Android Auto™ is a trademark of Google LLC.
- Requires compatible device, USB connection, mobile data, network reception and GPS signal. Mobile usage at user's cost. Apps subject to change. For details see toyota.com.au/connected
- Bluetooth® is a registered trademark of Bluetooth SIG, Inc.
- Connected Services complimentary period ends 3 years from delivery date. Fees may apply thereafter. See toyota.com.au/connected/plans-packages. Not available outside Australia, if services disabled or terminated, or after 2033/Telstra 4G sunset (whichever comes first). Dependent on 3G/4G enabled DCM, GPS signal strength, mobile network coverage and other factors outside Toyota's control which can limit the ability or functionality of system. Check your Owner's Manual for explanation of limitations. Please drive safely.
- Requires activated DCM, compatible device and app installation, third party info, mobile data, network reception and GPS signal. Mobile usage at user's cost. Features subject to change. For details see toyota.com.au/connected/connect-app
- SVT – Not available outside Australia or if service is disabled or terminated. Dependent on sufficient battery power, 3G/4G enabled DCM, GPS signal strength, mobile network coverage,

- operational related components and other factors outside Toyota's control which can limit the ability or functionality of the system. Owner/driver required to obtain Police report. Vehicle location information, if available, only provided to Police. Vehicle recovery not guaranteed. For details, visit toyota.com.au/connected/faqs-support
- ACN – Driver assist feature only. Not a substitute for safe driving practices. Not available outside Australia or if service is disabled or terminated. Only activates if vehicle's DCM detects airbag deployment or an impact sensor notification. Dependent on 3G/4G enabled DCM, GPS signal strength, mobile network coverage, operational related components and other factors outside Toyota's control which can limit the ability or functionality of the system. Check your Owner's Manual for explanation of limitations. Please drive safely.
 - SOS – Driver assist feature only. Not a substitute for safe driving practices. Not available outside Australia or if service is disabled or terminated. Only operates if vehicle's SOS button is pressed. Dependent on 3G/4G enabled DCM, GPS signal strength, mobile network coverage, operational related components and other factors outside Toyota's control which can limit the ability or functionality of the system. Check your Owner's Manual for explanation of limitations. Please drive safely.
 - Tow ball, tongue and wiring harness sold separately. See your Toyota Dealer to confirm Toyota Genuine Accessories suitable for your vehicle prior to ordering, as specifications, applicability, availability and fitment requirements may change over time. Consider combined mass of load and accessories to ensure gross vehicle mass limits are not exceeded. Refer to toyota.com.au/vehiclepayload for information. Fitment of certain accessories may require recalibration, relocation or removal of standard equipment (which may be retained by Toyota).

IMPORTANT NOTICE – PLEASE READ: Toyota Australia uses its best endeavours to ensure material is accurate at the time of publishing. All information must be confirmed with your Toyota Dealer at the time of ordering, as specifications, applicability and availability may change over time. Colours depicted are a guide only and may vary from actual colours due to the printing/display process. Toyota Australia reserves the right to change and/or discontinue, without notice, models, prices, colours, materials, equipment, specifications. To the extent permitted by law, Toyota Australia will

not be liable for any damage or loss incurred from relying on the information and images contained in this material. Distributed nationally (other than in Western Australia) by Toyota Motor Corporation Australia Limited ABN 64 009 686 097. Material distributed in Western Australia by or on behalf of Prestige Motors Pty Ltd (for vehicles) and by Eastpoint Pty Ltd (for parts/accessories). Toyota Australia makes no warranties regarding (and will not be liable for) accuracy of materials distributed in Western Australia. PROOF HQ: T2022-019481. GTO-007118. VERSION: APRIL 2023.