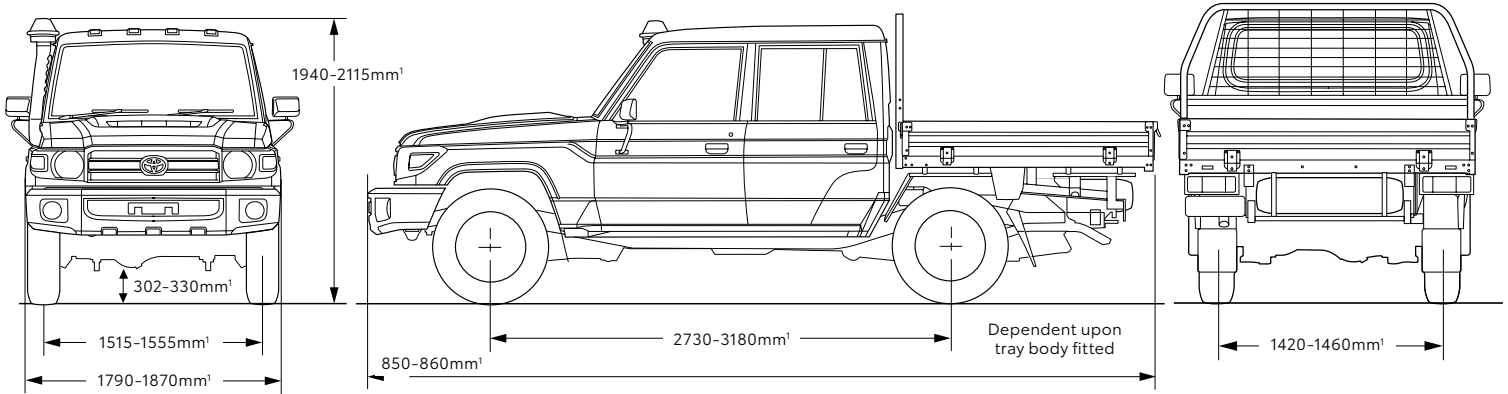


# LandCruiser 70



Please Note: information is accurate as at February 2023.

Specification and imagery are indicative and should only be used as a guide. Vehicle and accessory specification, features, colour and trim may differ at the time of vehicle delivery.



MECHANICAL SPECIFICATIONS		LandCruiser 70								
ENGINE	Engine	4.5L turbo diesel engine								
	Name	1VD-FTV								
	Displacement (cm <sup>3</sup> )	4461								
	Max power (kW/rpm)	151/3400								
	Max torque (Nm/rpm)	430/1200-3200								
	Valve train	32-valve DOHC								
	Fuel system	Common-rail type								
	Bore x stroke (mm)	86.0 x 96.0								
	Compression ratio	16.8:1								
TRANSMISSION	Transmission	5-speed manual								
	Gear ratios	1st 4.529; 2nd 2.294; 3rd 1.490; 4th 1.000; 5th 0.750; Reverse 4.313								
	Transfer Gear Ratio (H4/L4)	1.000/2.488								
	Driveline	4WD								
FUEL	Fuel type	Diesel								
	Fuel economy <sup>2</sup> (L/100km)	10.7								
	Fuel capacity (L)	Troop Carrier 180, all other models 130								
STEERING	Steering system	Hydraulic								
	Steering operation	Power steering								
	Turning circle (kerb to kerb) (m)	Single and Double-Cab Cab-Chassis: 14.4; Troop Carrier: 13.6; Wagon: 12.6								
BRAKES	Brake control system	Front and rear ventilated discs								
SUSPENSION	Front	Rigid live axle, leading arm, coil springs, dampers and anti-roll bar								
	Rear	Rigid live axle, semi-elliptic leaf springs, dampers								
LANDCRUISER 70 MODEL		Single-Cab Cab-Chassis			Double-Cab Cab-Chassis		Wagon		Troop Carrier	
		WorkMate	GX	GXL	WorkMate	GXL	WorkMate	GXL	WorkMate	GXL
DIMENSIONS AND WEIGHTS (APPROXIMATE)	Overall length <sup>1</sup> (mm)	5220	5220	5230	5220	5220	4870	4910	5210	5220
	Overall width <sup>1</sup> (mm)	1790	1870	1870	1790	1870	1790	1870	1790	1790
	Overall height <sup>1</sup> (mm)	1970	1955	1955	1960	1945	1955	1940	2115	2115
	Wheelbase (mm)	3180	3180	3180	3180	3180	2730	2730	2980	2980
	Front track (mm)	1515	1555	1555	1515	1555	1515	1555	1515	1515
	Rear track (mm)	1420	1460	1460	1420	1460	1420	1460	1420	1420
	Running clearance (mm)	330	316	316	317	302	305	290	317	315
	Kerb weight <sup>1</sup> (kg)	2200	2185	2195	2230	2215	2310	2300	2295	2365
	Gross Vehicle Mass <sup>1</sup> (GVM) (kg)	3510	3510	3510	3510	3510	3510	3510	3510	3510
Gross Combined Mass <sup>1</sup> (GCM) (kg)	6900	6900	6900	6800	6800	6560	6560	6800	6800	
SEATING	Capacity	2	2	2	5	5	5	5	2	5
TOWING CAPACITY <sup>3</sup>	With trailer brakes	3500	3500	3500	3500	3500	3500	3500	3500	3500
	Without trailer brakes	750	750	750	750	750	750	750	750	750
WHEELS	16" steel wheels	•			•		•		•	•
	16" alloy wheels		•	•		•		•		

LANDCRUISER 70 MODEL		Single-Cab Cab-Chassis			Double-Cab Cab-Chassis		Wagon		Troop Carrier	
		WorkMate	GX	GXL	WorkMate	GXL	WorkMate	GXL	WorkMate	GXL
EXTERIOR	Moulded black front bumper	•	•		•					
	Chrome and painted front bumper			•		•				
	Moulded black front and rear bumpers						•		•	
	Chrome and painted front and rear bumpers							•		•
	Front mudguards	•	•	•	•	•				
	Front and rear mudguards						•	•	•	•
	Steel side steps	•	•						•	
	Aluminium side steps			•	•	•	•	•		•
	Halogen headlamps	•	•	•	•	•	•	•	•	•
	Front fog lamps					•		•		•
	Air-intake snorkel	•	•	•	•	•	•	•	•	•
	Over-fender flares		•	•		•		•		
	Chrome radiator grille			•		•		•		•
	Chrome roof drip rails			•		•		•		•
	Power antenna			•		•		•		•
Barn type 60/40 rear tailgate doors						•	•	•	•	
INTERIOR	2 bucket front seats	•	•	•	•	•	•	•	•	•
	Front bucket seats and 2nd row bench seat				•	•	•	•		•
	Textured vinyl seat trim	•	•		•		•		•	
	Cloth seat and door trim			•		•		•		•
	Floor carpet			•		•		•		
	All weather floor mats	•	•	•	•	•	•	•	•	•
	Air conditioning	•	•	•	•	•	•	•	•	•
SAFETY	Anti-lock Braking System	•	•	•	•	•	•	•	•	•
	Side door impact protection beams	•	•	•	•	•	•	•	•	•
	Driver seatbelt warning lamp	•	•	•	•	•	•	•	•	•
	Driver and front passenger airbags	•	•	•	•	•	•	•	•	•
	Curtain shield and driver's knee airbags	•	•	•	•	•	•	•	•	•
	Brake Assist	•	•	•	•	•	•	•	•	•
	Vehicle Stability Control, Hill-start Assist Control, Electronic Brake-force Distribution and Active Traction Control	•	•	•	•	•	•	•	•	•
Pre-Collision Safety system with pedestrian and daytime cyclist detection	•	•	•	•	•	•	•	•	•	
STORAGE	Glove box	•	•	•	•	•	•	•	•	•
	2 bottle holders	•	•	•	•	•	•	•	•	•
	Driver and front passenger map pockets			•		•		•		•
	Centre console storage	•	•	•	•	•	•	•	•	•
MULTIMEDIA	6.1" colour touchscreen display	•	•	•	•	•	•	•	•	•
	Satellite navigation with SUNA™ traffic channel <sup>6,7</sup>	•	•	•	•	•	•	•	•	•
	2 USB charging ports <sup>4</sup>	•	•	•	•	•	•	•	•	•
	USB multimedia input <sup>4</sup>	•	•	•	•	•	•	•	•	•
	12V accessory connector	•	•	•	•	•	•	•	•	•
	AM/FM radio with MP3 compatible single-disc CD player	•	•	•	•	•	•	•	•	•
	Bluetooth <sup>®4,5</sup> connectivity	•	•	•	•	•	•	•	•	•
	2 speakers	•	•	•	•	•			•	•
	4 speakers						•	•		•
Front guard mounted antenna	•	•	•	•	•	•	•	•	•	

1 Vehicles should be individually weighed and measured before fitting any accessories, towing or designing any compatible trailer/caravan or otherwise using the vehicle in any way that depends on this value.

2 Achieved in test conditions. Actual fuel consumption may vary depending on driving conditions/style, vehicle condition and options/accessories fitted. Fuel consumption data provided for comparison purposes only. Source: ADR81/02 combined.

3 Towing capacity is subject to regulatory requirements, tow bar and vehicle design and towing equipment limitations. Ask your Dealer for Toyota Genuine tow bar capacity and availability details.

4 Compatibility and functionality varies depending on device.

5 The Bluetooth® word mark is owned by Bluetooth SIG, Inc.

6 Service varies based on vehicle location. See [sunatrafic.com.au](http://sunatrafic.com.au)

7 Coverage dependent on vehicle location.

#### IMPORTANT NOTICE – PLEASE READ:

Toyota Australia uses its best endeavours to ensure material is correct when published. Check with your authorised Toyota Dealer when ordering to ensure the vehicle with your chosen specifications, equipment and colour is available and can be delivered within the timeframe suitable to you. When ordering accessories, check with your authorised Toyota Dealer to ensure the accessory's design, features and colours are available and fit your vehicle. Ensure the mass of your load does not exceed the maximum allowable individual axle capacity, Gross Vehicle Mass and/or Gross Combined Mass of the vehicle. Refer to [toyota.com.au](http://toyota.com.au) for further details. Colours displayed are a guide only and may vary from actual colours due to printing/display processes. Certain accessories when fitted will require

the removal of standard equipment, which may be retained by Toyota Australia or your Toyota Dealer. Toyota Australia reserves the right to change, without notice, prices, colours, materials, equipment, specifications and discontinue colours/models. To the extent permitted by law, Toyota Australia will not be liable for any damage, loss or expense incurred as a result of reliance on this material in any way. Distributed nationally (other than in Western Australia) by Toyota Motor Corporation Australia Limited ABN 64 009 686 097, 155 Bertie St, Port Melbourne 3207. Material distributed in Western Australia by or on behalf of Prestige Motors Pty Ltd (for vehicles) and by Eastpoint Pty Ltd (for parts/accessories). Toyota Australia makes no warranties regarding (and will not be liable for) accuracy of materials distributed in Western Australia. PROOF HQ: T2022-019623. GTO-006536. VERSION: FEBRUARY 2023.