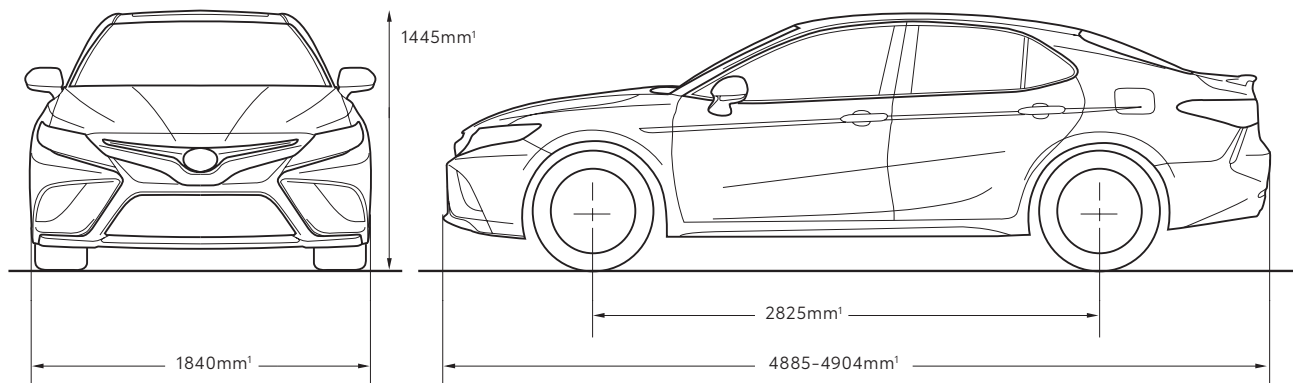


Camry



Please Note: information is accurate as at November 2022.

Specification and imagery are indicative and should only be used as a guide. Vehicle and accessory specification, features, colour and trim may differ at the time of vehicle delivery.



CAMRY MODEL		4-CYLINDER PETROL	HYBRID			
		Ascent	Ascent	Ascent Sport	SX	SL
ENGINE	Engine description	2.5L Dual VVT-i 4-cylinder petrol engine	2.5L Dual VVT-i petrol engine with Toyota Hybrid System			
	Engine code	A25A-FKS	A25A-FXS			
	Max power ² (kW @ rpm) / Max torque ² (Nm @ rpm)	152 @ 6600 / 243 @ 4000 - 5000	131 @ 5700 / 221 @ 3600-5200			
	Combined maximum power output ²	-	160kW			
	Bore x stroke (mm)	87.5 x 103.4	87.5 x 103.4			
	Compression ratio	13.0	14.0			
FUEL	Fuel type octane no. (Minimum recommended)	95 or higher	95 or higher			
	Fuel economy ³ (L/100km)	6.8	4.7			
TRANSMISSION	Transmission	8-speed automatic transmission with sequential shift	Electronic Continuously Variable Transmission (e-CVT)			
	Sports paddle shift				•	•
STEERING	Manual tilt and reach steering wheel adjustment	•	•	•	•	
	Power tilt and telescopic steering wheel adjustment					•
	Electric Power Steering	•	•	•	•	•
BRAKES	Front ventilated disc and rear solid disc	•	•	•	•	•
	Electronic Park Brake	•	•	•	•	•
	Regenerative braking system		•	•	•	•
SUSPENSION	MacPherson strut type front suspension	•	•	•	•	•
	Double wishbone rear suspension system	•	•	•	•	•
	Sports suspension				•	

CAMRY MODEL		4-CYLINDER PETROL	HYBRID			
		Ascent	Ascent	Ascent Sport	SX	SL
WEIGHTS AND CAPACITIES (APPROXIMATE)	Vehicle kerb weight (max) (kg) ¹	1500	1655	1655	1645	1655
	Gross vehicle weight (kg) ¹	2030	2100	2100	2100	2100
	Luggage capacity (L)	493	524	524	524	524
	Fuel tank capacity (L)	60	50	50	50	50
WHEELS	Design and size	17" alloy	17" alloy	17" alloy	19" alloy	18" alloy
	Spare wheel	Full size spare wheel	Temporary			
	Spare wheel tyre size	215/55R17	T155/70D17			
EXTERIOR	Electrically adjustable rear view mirrors with side indicators	•	•	•	•	•
	Sports front grille			Matte	High Gloss	High Gloss
	Rear spoiler			•	•	•
	LED Daytime Running Lamps (DRLs)	•	•	•	•	•
	Panoramic full glass roof					•
	Front and rear auto power operated windows	•	•	•	•	•
	Rain-sensing wipers					•
INTERIOR	Premium steering wheel			•	•	•
	Seat heating, cooling and ventilation for driver and front passenger					•
	Leather accented seats				Sports leather accented	•
	Stainless steel scuff plates			•	•	•
	Interior ambient illumination - console and foot well					•
	Driver's seat power adjustable lumbar support	•	•	•	•	•
	6-way manual driver's seat adjustment	•	•			
	8-way power adjustable driver's seat			•	•	Driver and passenger seat
	Driver's seat memory function					•
	60/40 split fold rear seats	•	•	•	•	•
Folding rear seat centre armrest	•	•	•	•	•	
INSTRUMENTS AND CONTROLS	4.2" Multi Information Display (MID)	•	•			
	7" Multi Information Display (MID)			•	•	•
	Apple CarPlay ^{®4,5} and Android Auto ^{™4,6}	•	•	•	•	•
	Panoramic View Monitor					•
	Auto-levelling headlamps	•	•	•	•	•
	12V power accessory socket	•	•	•	•	•
	Smart entry and start system		•	•	•	•
	Manual air conditioning	•				
	Dual-zone automatic climate control air conditioning		•	•	•	•
	USB charging points (2 x rear, 1 x front)				•	•
Auto-dimming rear view mirror					•	

CAMRY MODEL		4-CYLINDER PETROL	HYBRID			
		Ascent	Ascent	Ascent Sport	SX	SL
STORAGE	Lockable glove box	•	•	•	•	•
	Centre console with lid (7.3L)	•	•	•	•	•
	Sunglass holder – front overhead console	•	•	•	•	•
	Beverage holders x 8 (front centre console, front and rear doors, rear centre armrest)	•	•	•	•	•
MULTIMEDIA	7" colour touchscreen display	•	•			
	9" colour touchscreen display			•	•	•
	Digital Radio	•	•	•	•	•
	USB input	•	•	•	•	•
	Bluetooth ^{7,8} connectivity	•	•	•	•	•
	Mobile Assistant with Siri [®] Eyes Free ^{7,8} and Google Now ^{™,9}	•	•	•	•	•
	Voice recognition, Miracast, myToyota	•	•	•	•	•
	Satellite navigation with SUNA ^{™,10} traffic channel	Optional	Optional	•	•	•
	Steering wheel audio controls	•	•	•	•	•
TOYOTA CONNECTED SERVICES ¹¹	Toyota Connected Services ¹¹	3 years complimentary access ¹¹				
	myToyota Connect ¹¹ app	•	•	•	•	•
	Stolen Vehicle Tracking ^{12,13}	•	•	•	•	•
	Automatic Collision Notification ^{12,14}	•	•	•	•	•
	SOS Emergency Call ^{12,15}	•	•	•	•	•
SAFETY ¹⁶	Toyota Safety Sense – including Lane Departure Alert, Pre-Collision Safety System with pedestrian detection, Automatic High Beam and Dynamic Radar Cruise Control with Road Sign Assist (speed signs only)	•	•	•	•	•
	Blind Spot Monitor with Rear Cross Traffic Alert			•	•	•
	Anti-lock Braking System with Electronic Brake-force Distribution and Brake Assist	•	•	•	•	•
	Vehicle Stability Control and Traction Control	•	•	•	•	•
	Hill-start Assist Control and Brake Hold	•	•	•	•	•
	Electronically Controlled Brake system			•	•	•
	Reversing camera with moving guidelines	•	•	•	•	•
	Front and rear clearance sensors			•	•	•
	7 SRS airbags – dual front, front side, full length curtain airbags and driver's knee airbag	•	•	•	•	•
	Maximum 5-Star 2017 ANCAP safety rating	•	•	•	•	•
	Child proof locks – rear	•	•	•	•	•
SECURITY	Immobiliser with alarm	•	•	•	•	•
	Speed sensing auto door lock	•	•	•	•	•
	Remote central locking including boot release on remote	•	•	•	•	•

1 Weights/mass/volumes/dimensions are approximate and subject to individual vehicle variances, and should be confirmed before fitting any accessories, towing or otherwise relying on this value.
2 Power and torque test standards differ. Ensure comparisons use same test standard.
3 Achieved in test conditions for comparison purposes only. Actual fuel consumption varies depending on driving conditions/style, vehicle condition, load and options/accessories fitted. Source: ADR81/02 combined cycle.
4 Requires compatible device, USB connection, mobile data, network reception and GPS signal. Mobile usage at user's cost. Apps subject to change. For details see toyota.com.au/connected
5 CarPlay[®] is a trademark of Apple, Inc. registered in the U.S. and other countries.
6 Android Auto[™] is a trademark of Google LLC.
7 Compatibility and functionality varies depending on device.
8 Bluetooth[®] is a registered trademark of Bluetooth SIG, Inc. Siri[®] is a trade mark of Apple, Inc. registered in the U.S. and other countries.
9 Google Now is a trademark of Google LLC.
10 Service varies based on vehicle location. See sunattraffic.com.au

11 Connected Services complimentary period ends 3 years from delivery date. Fees may apply thereafter. See toyota.com.au/connected/plans-packages. Not available outside Australia, if services disabled or terminated, or after 2033/Telstra 4G sunset (whichever comes first). Dependent on 3G/4G enabled DCM, GPS signal strength, mobile network coverage and other factors outside Toyota's control which can limit ability or functionality of system. Requires compatible device and app installation, third party info and mobile data. Mobile usage at user's cost. Check toyota.com.au/connected or your Owner's Manual for explanation of limitations. Features subject to change. Please drive safely.
12 Driver assist feature only. Not a substitute for safe driving practices. Dependent on operational related components and other factors outside Toyota's control which can limit ability or functionality of system. Check your Owner's Manual for explanation of limitations. Please drive safely.
13 SVT – Owner/driver required to obtain Police report. Dependent on sufficient battery power. Vehicle location information, if available, only provided to Police. Vehicle recovery not guaranteed.
14 ACN – Only activates if vehicle's DCM detects airbag deployment or impact sensor notification.
15 SOS – Only operates if vehicle's SOS button is pressed and vehicle ignition is on.
16 Driver assist feature. Only operates under certain conditions. Check your Owner's Manual for explanation of limitations. Please drive safely.

IMPORTANT NOTICE – PLEASE READ: Toyota Australia uses its best endeavours to ensure material is accurate at the time of publishing. All information must be confirmed with your Toyota Dealer at the time of ordering, as specifications, applicability and availability may change over time. Colours depicted are a guide only and may vary from actual colours due to the printing/display process. Toyota Australia reserves the right to change and/or discontinue, without notice, models, prices, colours, materials, equipment, specifications. To the extent permitted by law, Toyota Australia will not be liable for any damage or loss incurred from relying on the information and images contained in this material. Distributed nationally (other than in Western Australia) by Toyota Motor Corporation Australia Limited ABN 64 009 686 097. Material distributed in Western Australia by or on behalf of Prestige Motors Pty Ltd (for vehicles) and by Eastpoint Pty Ltd (for parts/accessories). Toyota Australia makes no warranties regarding (and will not be liable for) accuracy of materials distributed in Western Australia. PROOF HQ: TQ2021-015792. GTP-006551. VERSION: NOVEMBER 2022.