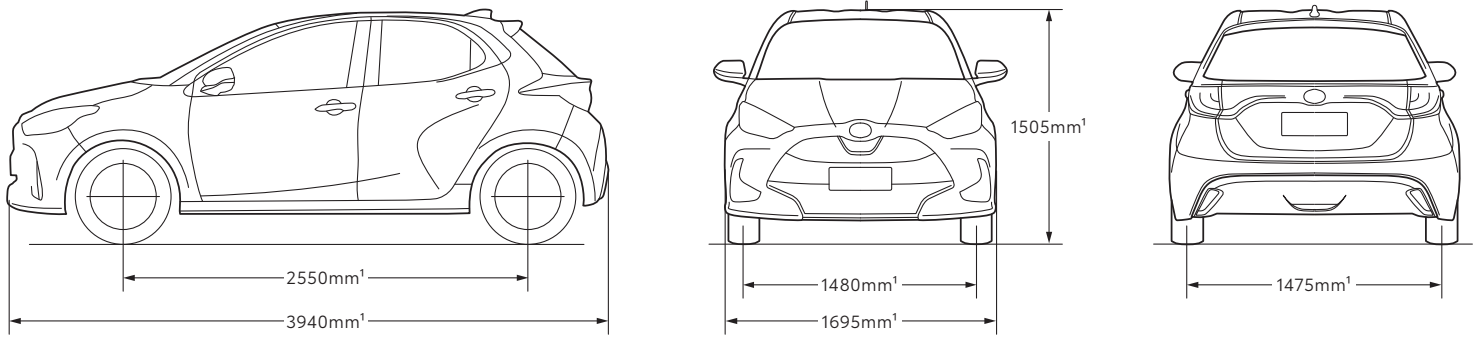


# Yaris



Please Note: information is accurate as at October 2022.

Specification and imagery are indicative and should only be used as a guide. Vehicle and accessory specification, features, colour and trim may differ at the time of vehicle delivery.



| MECHANICAL SPECIFICATIONS            |  | Ascent Sport  | SX         | SX Hybrid                        | ZR         | ZR Hybrid                        |
|--------------------------------------|--|---|------------|----------------------------------|------------|----------------------------------|
| ENGINE                               | 1.5L 3-cylinder in-line VVT-iW petrol engine               | •   | •          |                                  | •          |                                  |
|                                      | 1.5L 3-cylinder in-line VVT-iE hybrid engine               |   |            | •                                |            | •                                |
|                                      | Max power (kW)   | 88kW  | 88kW       | 85kW<br>(combined system output) | 88kW       | 85kW<br>(combined system output) |
|                                      | Max torque (Nm) <sup>2</sup> (engine)                      | 145Nm   | 145Nm      | 120Nm                            | 145Nm      | 120Nm                            |
|                                      | Max torque (Nm) <sup>2</sup> (hybrid system)               | -   | -          | 141Nm                            | -          | 141Nm                            |
| FUEL                                 | Fuel economy <sup>3</sup>                                  | 4.9L/100km  | 4.9L/100km | 3.3L/100km                       | 4.9L/100km | 3.3L/100km                       |
|                                      | Recommended fuel octane rating                             | 91  | 91         | 91                               | 91         | 91                               |
| TRANSMISSION                         | Direct Shift Continuously Variable Transmission (Auto CVT) | •   | •          |                                  | •          |                                  |
|                                      | Continuously Variable Transmission (Auto CVT)              |   |            | •                                |            | •                                |
| BRAKES                               | Front and rear   | Front ventilated disc brake and rear drum brake   |            |                                  |            |                                  |
|                                      | Brake control system                                       | Anti-lock Braking System (ABS) with Vehicle Stability Control (VSC) and Brake Assist (BA) |            |                                  |            |                                  |
|                                      | Regenerative braking system                                |   |            | •                                |            | •                                |
| SUSPENSION                           | Suspension   | MacPherson strut type front suspension and Torsion Beam rear suspension                   |            |                                  |            |                                  |
| WEIGHTS AND CAPACITIES (APPROXIMATE) | Braked towing capacity <sup>4</sup> (kg)                   | N/A   | N/A        | N/A                              | N/A        | N/A                              |
|                                      | Unbraked towing capacity <sup>4</sup> (kg)                 | N/A   | N/A        | N/A                              | N/A        | N/A                              |
|                                      | Vehicle kerb weight <sup>1</sup> - max (kg)                | 1075  | 1075       | 1130                             | 1075       | 1130                             |
|                                      | Gross vehicle weight <sup>1</sup> - max (kg)               | 1500  | 1500       | 1575                             | 1500       | 1575                             |
|                                      | Seating capacity   | 5   | 5          | 5                                | 5          | 5                                |
|                                      | Luggage capacity <sup>1</sup> (L)                          | 270   | 270        | 270                              | 270        | 270                              |
|                                      | Fuel tank capacity <sup>1</sup> (L)                        | 40  | 40         | 36                               | 40         | 36                               |
| WHEELS                               | Design and size  | 15" steel with wheel cap  | 15" alloy  | 15" alloy                        | 16" alloy  | 16" alloy                        |
|                                      | Spare wheel  | Temporary   | Temporary  | Temporary                        | Temporary  | Temporary                        |
| EXTERIOR                             | Bi-LED headlamps   |   | •          | •                                | •          | •                                |
|                                      | LED Daytime Running Lamps                                  | •   | •          | •                                | •          | •                                |
|                                      | Headlamps  | Halogen   | LED        | LED                              | LED        | LED                              |
|                                      | Rear LED fog lamps   | •   | •          | •                                | •          | •                                |
|                                      | Auto-electronically retractable door mirrors               | •   | •          | •                                | •          | •                                |
| INTERIOR                             | Leather accented steering wheel                            |   | •          | •                                | •          | •                                |
|                                      | Sports front seats   |   |            |                                  | •          | •                                |
|                                      | Fabric seats   | •   | •          | •                                | •          | •                                |
|                                      | Front and rear auto power operation windows                | •   | •          | •                                | •          | •                                |
|                                      | Privacy glass (rear and rear side)                         |   | •          | •                                | •          | •                                |
|                                      | 60/40 split fold rear seats                                | •   | •          | •                                | •          | •                                |
|                                      | Rear seat reminder   | •   | •          | •                                | •          | •                                |

| MECHANICAL SPECIFICATIONS       |   | Ascent Sport        | SX               | SX Hybrid        | ZR               | ZR Hybrid        |
|---------------------------------|---|---------------------|------------------|------------------|------------------|------------------|
| <b>INSTRUMENTS AND CONTROLS</b> | 4.2" Multi Information Display (MID)  | •                   | •                | •                | •                | •                |
|                                 | Meter   | Double gauge analog | Dual LCD digital | Dual LCD digital | Dual LCD digital | Dual LCD digital |
|                                 | Head-Up Display (HUD)   |                     |                  |                  | •                | •                |
|                                 | Drive mode select   | •                   | •                | •                | •                | •                |
|                                 | Paddle shift controls   |                     |                  |                  | •                |                  |
|                                 | Smart entry and start system  |                     | •                | •                | •                | •                |
|                                 | Manual air conditioning   | •                   |                  |                  |                  |                  |
|                                 | Automatic climate control air conditioning  |                     | •                | •                | •                | •                |
|                                 | USB <sup>5</sup> charging point   | •                   | •                | •                | •                | •                |
| <b>STORAGE AND CONVENIENCE</b>  | 2 Centre console cup holders  | •                   | •                | •                | •                | •                |
|                                 | Door pockets – driver and front passenger   | •                   | •                | •                | •                | •                |
|                                 | Driver and front passenger sunvisors with mirror and light  | •                   | •                | •                | •                | •                |
|                                 | Front and rear door bottle holder   | •                   | •                | •                | •                | •                |
| <b>MULTIMEDIA</b>               | 7" colour touchscreen display   | •                   | •                | •                | •                | •                |
|                                 | Satellite navigation <sup>7</sup> with SUNA <sup>TM</sup> , <sup>8</sup> traffic channel                |                     | •                | •                | •                | •                |
|                                 | USB <sup>6</sup> input  | •                   | •                | •                | •                | •                |
|                                 | Digital radio <sup>9</sup> (DAB+)   | •                   | •                | •                | •                | •                |
|                                 | Bluetooth <sup>®10</sup> connectivity   | •                   | •                | •                | •                | •                |
|                                 | Voice recognition, Mobile Assistant, Siri <sup>®11</sup> Eyes Free, Miracast <sup>®5</sup> and myToyota | •                   | •                | •                | •                | •                |
|                                 | Apple CarPlay <sup>®11</sup> and Android Auto <sup>TM,12</sup>  | •                   | •                | •                | •                | •                |
|                                 | 6-speaker audio   | •                   | •                | •                | •                | •                |
| <b>SAFETY<sup>13</sup></b>      | Lane Trace Assist   | •                   | •                | •                | •                | •                |
|                                 | Lane Departure Alert with steering assist   | •                   | •                | •                | •                | •                |
|                                 | Pre-Collision Safety system with pedestrian (day and night) and cyclist (day) detection                 | •                   | •                | •                | •                | •                |
|                                 | Emergency Steering Assist   | •                   | •                | •                | •                | •                |
|                                 | Intersection Turn Assistance  | •                   | •                | •                | •                | •                |
|                                 | Road Sign Assist (speed signs only)   | •                   | •                | •                | •                | •                |
|                                 | Automatic High Beam   | •                   | •                | •                | •                | •                |
|                                 | Active Cruise Control   | •                   | •                | •                | •                | •                |
|                                 | Blind Spot Monitor  |                     |                  |                  | •                | •                |
|                                 | Rear Cross Traffic Alert  |                     |                  |                  | •                | •                |
|                                 | Reversing camera with guidelines  | •                   | •                | •                | •                | •                |
|                                 | Anti-lock Braking System with Electronic Brake-force Distribution and Brake Assist                      | •                   | •                | •                | •                | •                |
|                                 | Vehicle Stability Control and Traction Control  | •                   | •                | •                | •                | •                |
|                                 | Hill-start Assist Control   | •                   | •                | •                | •                | •                |
|                                 | Active Cornering Assist   | •                   | •                | •                | •                | •                |
|                                 | 8 SRS airbags – including front, front side and full length curtain airbags                             | •                   | •                | •                | •                | •                |
|                                 | Seatbelt warning  | •                   | •                | •                | •                | •                |
|                                 | ISOFIX child restraint anchorage points (outside rear seats)  | •                   | •                | •                | •                | •                |
|                                 | Engine immobiliser  | •                   | •                | •                | •                | •                |

- Weights/mass/volumes/dimensions are approximate and subject to individual vehicle variances, and should be confirmed before fitting any accessories, towing or otherwise relying on this value.
- Power and torque test standards differ. Ensure comparisons use same test standard.
- Achieved in test conditions for comparison purposes only. Actual fuel consumption varies depending on driving conditions/style, vehicle condition, load and options/accessories fitted.
- Towing capacity is subject to regulatory requirements, tow bar and vehicle design and towing equipment limitations. Ask your Dealer for Toyota Genuine tow bar capacity and availability details.
- Product and company names are trademarks of their respective owners.
- Compatibility and functionality varies depending on device.

- Coverage varies based on vehicle location.
- Service varies based on vehicle location. See [sunattraffic.com.au](http://sunattraffic.com.au)
- Coverage dependent on vehicle location.
- Bluetooth<sup>®</sup> is a registered trademark of Bluetooth SIG, Inc.
- CarPlay<sup>®</sup> and Siri<sup>®</sup> are trademark of Apple, Inc. registered in the U.S. and other countries.
- Android Auto<sup>TM</sup> is a trademark of Google LLC.
- Driver assist feature. Only operates under certain conditions. Check your Owner's Manual for explanation of limitations. Please drive safely.

#### IMPORTANT NOTICE – PLEASE READ:

Toyota Australia uses its best endeavours to ensure material is accurate at the time of publishing. All information must be confirmed with your Toyota Dealer at the time of ordering, as specifications, applicability and availability may change over time. Colours depicted are a guide only and may vary from actual colours due to the printing/display process. Toyota Australia reserves the right to change and/or discontinue, without notice, models, prices, colours, materials, equipment, specifications. To the extent permitted by law, Toyota Australia will not be liable for any damage or loss incurred

from relying on the information and images contained in this material. Distributed nationally (other than in Western Australia) by Toyota Motor Corporation Australia Limited ABN 64 009 686 097. Material distributed in Western Australia by or on behalf of Prestige Motors Pty Ltd (for vehicles) and by Eastpoint Pty Ltd (for parts/accessories). Toyota Australia makes no warranties regarding (and will not be liable for) accuracy of materials distributed in Western Australia. PROOF HQ: T2022-019291. GTP-006375. VERSION: OCTOBER 2022.